

 **REAL-EL**

OPERATION MANUAL



**2.1 MULTIMEDIA
SPEAKER SYSTEM**

M-370

Congratulations on your purchase of the TM REAL-EL speaker system!

COPYRIGHT

© 2018. ENEL GROUP OU.

This Manual and information contained in are copyrighted. All rights reserved.

TRADEMARKS

All trademarks are the property of their legal holders.

NOTICE OF RESPONSIBILITY RESTRICTION

Despite the exerted efforts to make this Manual more exact, some discrepancies may occur. The information of this Manual is given on «as is» terms. The author and the publisher do not bear any liability to a person or an organization for loss or damage which has arisen from the information contained in this Manual.

CONTENTS

1. BUYER RECOMMENDATIONS	1
2. PACKAGE CONTENTS	2
3. SAFETY PRECAUTIONS	2
4. TECHNICAL DESCRIPTION	2
5. CONNECTION	5
6. OPERATION MODES	6
7. TROUBLESHOOTING	7
8. TECHNICAL SPECIFICATIONS	7

1. BUYER RECOMMENDATIONS

- Unpack the device carefully. Make sure there are no accessories left in the box. Check up the device for damage; if the product was damaged during transportation, address the firm, which carried out the delivery; if the product functions incorrectly, address the dealer at once.
- Check up the package contents and availability of the warranty card. Make sure the warranty card has a shop stamp, a legible signature or the seller's stamp and purchase date, and the goods number corresponds to that in the warranty card. Remember: in case of warranty card loss or discrepancy of numbers you forfeit the right for warranty repairs.
- Do not switch on the speaker system immediately after you bring it into a room from environment with negative temperature! After unpacking, the speaker system should be kept in conditions of room temperature for at least 4 hours.
- Before installing and using the speaker system, read this Manual carefully and keep it for future reference.

2. PACKAGE CONTENTS

- Subwoofer – 1 pc
- Satellites – 2 pcs
- Remote control (RC) – 1 pc
- AAA type batteries – 2 pcs
- Signal cable – 1 pc
- FM antenna – 1 pc
- Operation manual – 1 pc
- Warranty card – 1 pc

3. SAFETY PRECAUTIONS

- Do not open Multimedia Speaker System (MSS) and do not perform repairs by yourself. Service and repairs should be performed by qualified specialists in an authorized service center only. The list of authorized service centers is available at www.real-el.com
- Do not put foreign objects inside the holes of the MSS.
- Protect the MSS from high humidity, water and dust.
- Protect the MSS from heating: do not place it closer heat source. Do not expose it to direct sunlight.
- Do not place any open flame sources on or close to MSS.
- Do not use any chemical agents for cleaning. Clean it with dry soft cloth only.
- In case of MSS does not work properly, power cable must be disconnected. Please contact place of purchase or service center.

4. TECHNICAL DESCRIPTION

M-370 2.1 Multimedia Speaker System (MSS) is designed to play music and sound games, movies, etc. The MSS enabling to connect to virtual to any audio source (CD/DVD-player, TV, phone, PC, etc.) without using an additional power amplifier. The MSS has a built-in FM radio, Bluetooth module and audio files player USB flash, SD card.

Features

- Audio playback via Bluetooth
- USB flash drive, SD card
- Digital display
- FM radio
- Remote control
- Wooden case of subwoofer and satellites

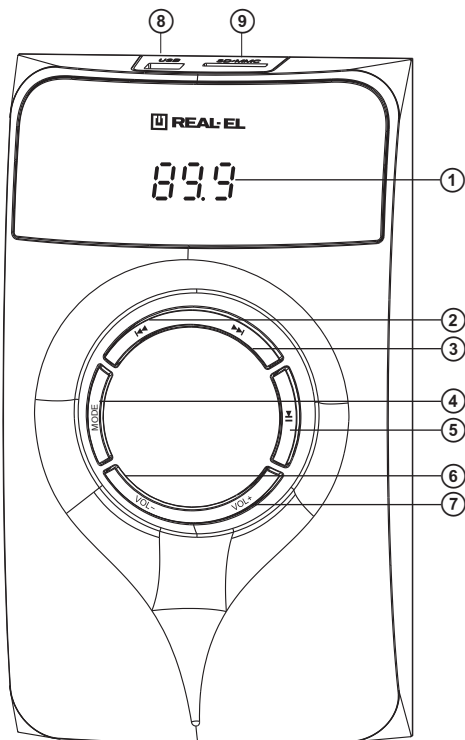


Fig. 1. Subwoofer control panel

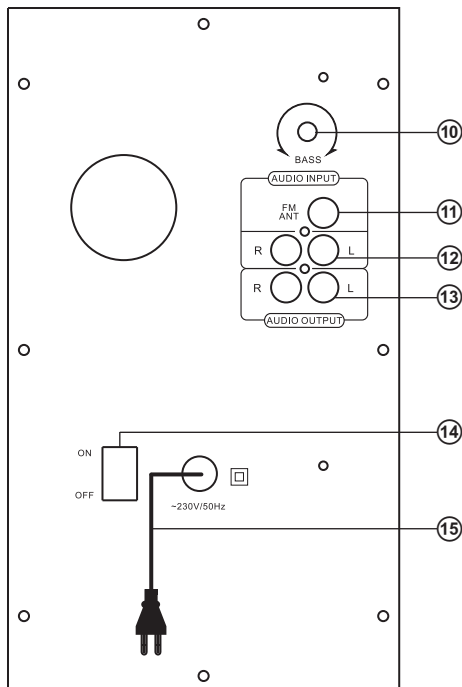


Fig. 2. Subwoofer rear panel

Subwoofer control panels:

- ① LED display
- ② ◀◀: previous track (press shortly in the Player and Bluetooth mode); previous station (press shortly in the Radio mode)
- ③ ▶▶: next track (press shortly in the Player and Bluetooth mode); next station (pressed short in the Radio mode)
- ④ MODE: switch button of PC/Bluetooth/FM/USB/SD (MMC)
- ⑤ ▶▶: Play/Pause (press shortly in the Player mode); Start/Stop auto scan (press shortly in the Radio mode)
- ⑥ VOL-: volume decrease button
- ⑦ VOL+: volume increase button
- ⑧ USB: USB: port for a USB flash device* containing MP3, WAV audio files

- ⑨ SD/MMC: slot for SD/MMC cards* containing MP3, WAV audio files
- ⑩ BASS: bass level control
- ⑪ FM ANT: radio antenna input jack
- ⑫ AUDIO INPUT: jack to connect PC, mobile devices, and other audio sources
- ⑬ AUDIO OUTPUT: jack to connect satellites
- ⑭ ON/OFF : power switch
- ⑮ Power cord

* Connection of external hard disks other than USB flash drive is not recommended, otherwise it can cause the MSS damage.

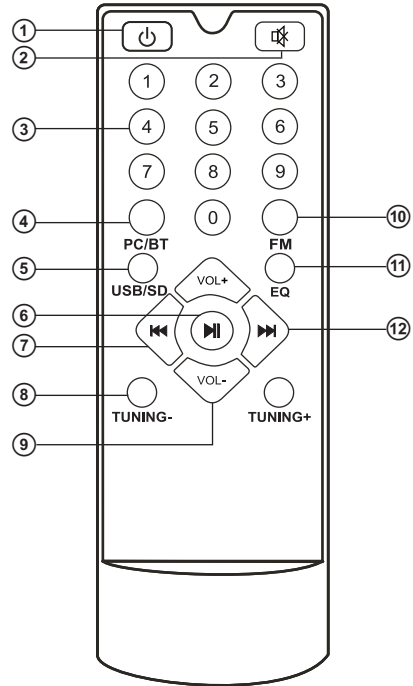


Fig. 3. Remote control

Remote control:

- ① ⏻: On/Off button
- ② 🔊: sound on/off button
- ③ 0-9: numeric pad
- ④ PC/BT: PC line input or Bluetooth mode selection
- ⑤ USB/SD: playback audio files mode selection
- ⑥ ▶⏸: Play/Pause (press shortly in the Player mode); auto scan start/stop (press shortly in the Radio mode)
- ⑦ ◀⏮: previous track (press shortly in the Player and Bluetooth mode); previous station (pressed short in the Radio mode)
- ⑧ TUNING-/+ : buttons for manual radio frequency scanning. Increase/ decrease the frequency up to 100 kHz by pressing short. By pressing long the search mode is activated the first station up/down the frequency range).
- ⑨ VOL+/-: volume level control buttons
- ⑩ FM: Radio mode switch button
- ⑪ EQ: equalizer mode switch button (in the Player mode)
- ⑫ ▶⏭: next track (press shortly in the Player and Bluetooth mode); next station (press shortly in the Radio mode)

2.1 USB Multimedia Speaker System

M-370

5. CONNECTION

Connection MSS

M-370 speaker system can be connected to most of audio devices: DVD/CD players, PCs, laptops, etc. (see connection diagram in Fig. 4).

- Before making any connections, make sure the MSS is off and unplugged. Then connect satellites to the subwoofer AUDIO OUTPUT L/R ⑬ jacks using built-in audio cables. Connect the right satellite to the subwoofer AUDIO OUTPUT R and the left satellite – to the AUDIO OUTPUT L (see connection diagram in Fig. 4).

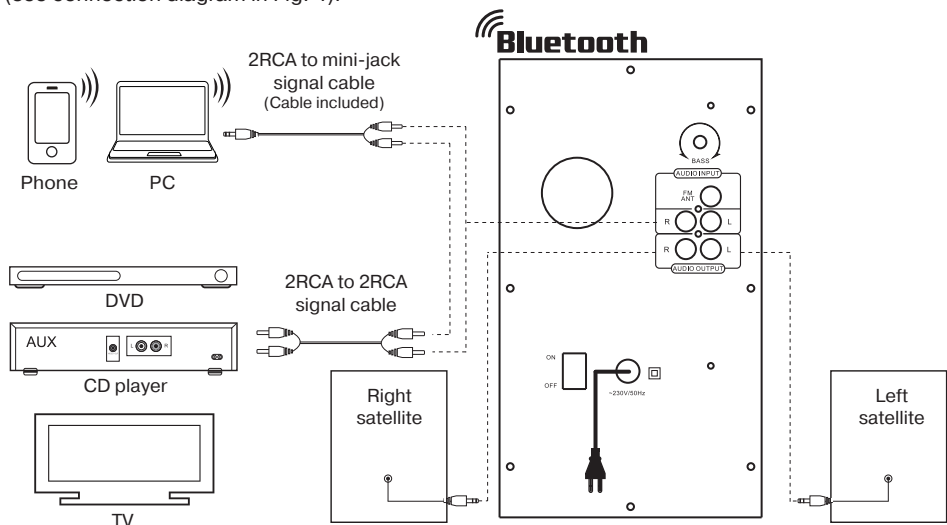


Fig. 4. Connection diagram

6. OPERATION MODES

Player Mode

- The system will enter the Player mode automatically when a carrier (USB flash or SD/MMC card)* is connected to corresponding ports ⑥ or ⑦; or press MODE button ④ on the front panel of the subwoofer or USB/SD button ⑤ on the remote control. The LED display will show the selected mode, number of the tracks found and the track's number on the play list and then the playback time. The playback will start automatically.
- To select a track, you can directly enter its number on the remote control using the numeric pad buttons ①. The display will show the track number for a short time and then the playback time elapsed.
- EQ mode (in the Player mode). There are 7 available preset settings: bas; pop; roc; jaz; cla; cou; nor.

* The operation may be incorrect if a SD card of 512 Mb capacity or lower is used. If a USB flash device of 8 Gb capacity or more is used, command processing time may be extended.

Bluetooth mode

- Bluetooth mode requires connection of MMS with a signal source. For this purpose select the Bluetooth mode using MODE button ④ on the front panel of the subwoofer or PC/BT button ④ on the remote control. After 2-3 seconds the speaker system starts the search mode.
- It is necessary to select the search mode of devices with Bluetooth on a signal source (phone, notebook, smartphone, etc.). "M-370" device will be displayed on the screen which should be connected to*.
- Indicator light continuously when connection is successful. If there is no connection, indicator will blink. In this case the system should be switched over to the search mode once again (turn off and turn on Bluetooth mode)**.

* You might have to enter "0000" code to connect some models via Bluetooth.

** If an item has been already registered in the device list of sources, then the second search mode activation is not needed. Choose only the item name and the "connect" command on the source.

FM Mode

- Use MODE button ④ on the front panel of the subwoofer or FM button ⑩ on the remote control to enter the Tuner mode. The display will backlight the current adjustment frequency.
- Press and hold button ⑤ on the front panel of the subwoofer or button ⑥ on the remote control short to auto scan and memorize the found stations. The second pressing of this button before the scanning is over will stop the auto scanning process. The display shows the frequency being scanned, when a radio station is being memorized, the display shows its assigned sequence number for a short moment.
- For manual scanning, use buttons TUNING +/- ⑧ on the remote control (up/down the frequency range).
- If preset radio stations are available in the memory, you can switch from one to another by short pressing buttons ② and ③ on the front panel of the subwoofer or buttons ⑦ and ⑫ on the remote control. You can also enter the frequency or the number of the preset station using numeric pad buttons ③ on the remote control. The display will show the station number for a short moment and then its frequency.

"Line input" Mode (AUDIO INPUT)

- Press MODE button ④ on the front panel of the subwoofer or PC/BT button ④ on the remote control to switch to the PC mode. The display will show PC inscription.

MUTE Mode

- To enter the MUTE mode, press button ② on the remote control. To quit the MUTE mode press the button ② repeatedly or press one of the buttons VOL +/- ⑨ on the remote control

Note. Due to the constant development of the software, the actual MSS operation may differ from described in this Manual. The most recent version of the Manual is available at www.real-el.ua

7. TROUBLESHOOTING

Problem	Cause	Solution
The MSS does not turn on.	The MSS isn't connected to a mains outlet.	Check the connection.
	The power switch is off.	Turn on the switch.
No sound or the sound is too quiet.	Volume level is set at minimum value.	Adjust the volume control knob.
	Improperly connected audio source.	Connect the audio sources correctly.
Distortion of sound.	Large amplitude of the input signal.	Turn down the source volume and the MSS volume.
The remote control is not working.	The batteries are discharged.	Replace the batteries with new ones.

If none of the above methods can solve the problem, please seek professional advice at your nearest service center. Never attempt to repair the product yourself.

8. TECHNICAL SPECIFICATIONS

Parameter, measurement unit	Value
Output power (RMS), W subwoofer satellites	44 (20 + 2 × 12) 20 2 × 12
Frequency response, Hz subwoofer satellites	40 – 200 200 – 20 000
Speaker diameter, mm subwoofer satellites	Ø 127 Ø 76
Bluetooth version	4.2
Bluetooth operating range, m	up to 10
Power supply, V/Hz	~230/50
Dimensions, mm subwoofer satellites (one speaker)	160 × 258 × 273 105 × 110 × 172
Weight, kg	3.1

Notes:

- Technical specifications given in this table are supplemental information and cannot give occasion to claims.
- Technical specifications and package contents are subject to change without notice due to the improvement of REAL-EL production.



Models: **M-370**

Manufacturer: ENEL GROUP OU, Katusepapi tn 6, Lasnamäe linnaosa, Tallinn, Harju maakond, 11412, Estonia. Made in China.

© **Registered Trademark of ENEL GROUP OU. Estonia.**